

NERI

Bollard Melia
Source: LED
Mounting: Surface-mounted

Technical sheet
Measures in mm

DESCRIPTION

Compliance

EN 60598-1



Mechanical Information

Height	Dia.	IP
1000mm	127mm	65

Electrical characteristics

Voltage	Frequency	Cos ϕ	Insulation class	Operative Temp.
AC230V	50Hz	> 0.9	CL I	-20°C to +50°C

Fixing

- Suitable for surface mounting.

Materials

- Extruded aluminium.
- PMMA.
- Stainless steel.

Structure - Main components

- Body in circular shape made of extruded aluminium.
- Diffused screen in PMMA.
- Stainless steel screws for fixing.

Electrical auxiliaries

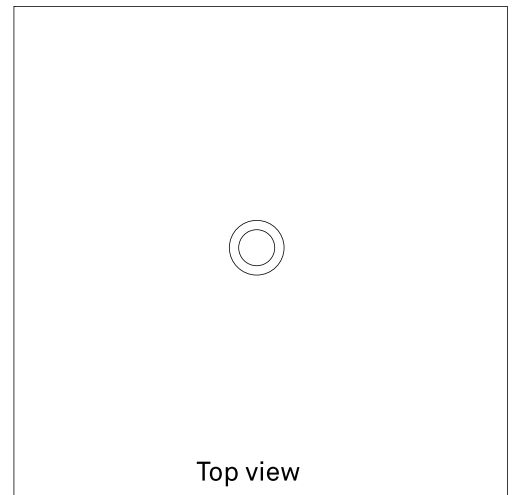
- Single cable entry from bottom.
- One cable of 3Cx1.5 sq.mm. supplied.
- Driver-standard on-off inbuilt power supply.

Operations and maintenance

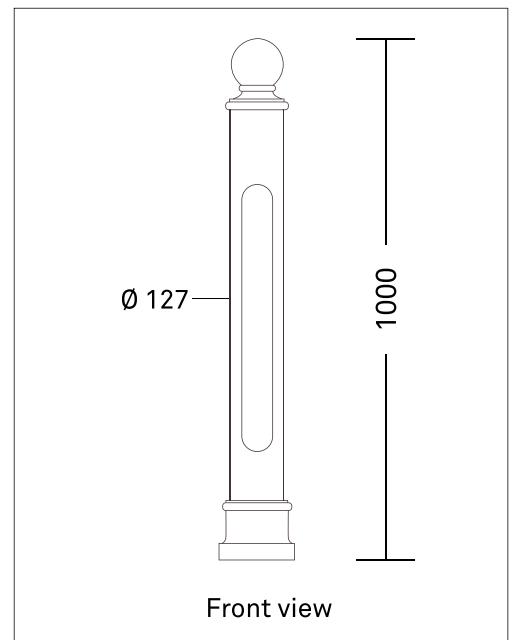
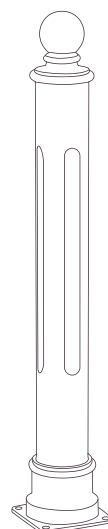
- A scheduled maintenance program must be carried out on the Installation.
- Disconnect the electrical supply before maintenance operation.

Finish

- Standard color is Neri grey.
- Powder coated for high corrosion resistance.



Top view



Front view

DESCRIPTION

Optics

Lighting distribution	Screen
Symmetrical	Diffused

Luminous flux

3000K		System
lm	W	lm/W
480	12	40

Luminous flux

4000K		System
lm	W	lm/W
540	12	45

- The energetic values in the table are referred to the system.
- LED source - SMD
- Heat sink integrated in the body.
- Lifetime (EN 62722-2-1, LM80 data): L70 > 50,000hours.
- Colour Rendering Index: Ra > 80.

Driver

- Standard on-off inbuilt power supply.

Accessories (Not included in standard product, to be ordered separately)



IP 68 2 Way connector for suitable cable diameter (6.5mm - 9.5mm)



IP 68 3 Way connector for suitable cable diameter (6.5mm - 9.5mm)

PHOTOMETRIC CURVES

Lighting distribution

