

# NERI

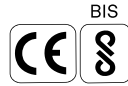
Light 600  
Source: LED  
Mounting: Upright

Technical sheet  
Measures in mm

## DESCRIPTION

### Compliance

EN 60598-1



### Mechanical Information

Height	Dia.	Weight	IP	IK
950mm	470mm	9.5Kg.	66	08

### Electrical characteristics

Voltage	Frequency	Cos $\phi$	Insulation class	Operative Temp.
AC230V	50Hz	> 0.9	CL I	-20°C to +50°C

### Fixing

- Suitable for upright mounting installation.

### Materials

- Aluminium.
- Acrylic.
- Silicon.
- Stainless steel.

### Structure - Main components

- Body in cylindrical shape made of aluminium.
- Upper & Lower frame made of aluminium.
- Decorative parts made of die cast aluminium.
- Screen made of acrylic.
- Gasket in silicon.
- Stainless steel screws for fixing.

### Electrical auxiliaries

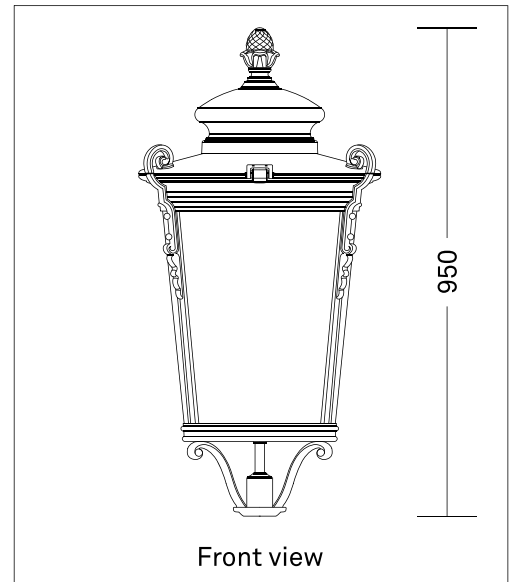
- Single cable entry from bottom.
- One cable of 3Cx1.5 sq.mm. supplied.
- Driver-standard on-off inbuilt power supply.

### Operations and maintenance

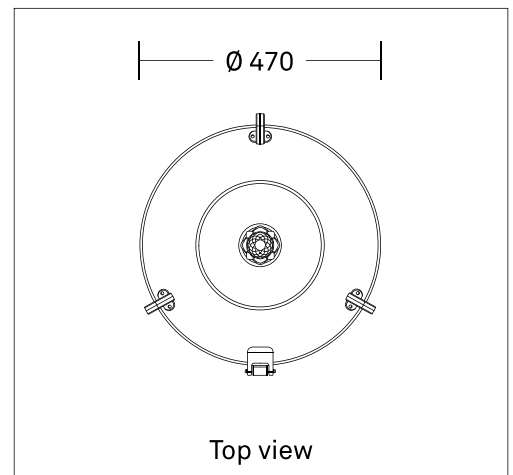
- A scheduled maintenance program must be carried out on the Installation.
- Disconnect the electrical supply before maintenance operation.

### Finish

- Standard color is Neri grey.
- Powder coated for high corrosion resistance.



Front view



Top view

# NERI

Light 600  
Source: LED  
Mounting: Upright

Category: Comfort  
Optics: Type II/III/IV/V  
Screen: Frosted

Technical sheet  
Measures in mm

## DESCRIPTION

### Optics

Lighting distribution	Screen
Type II/III/IV/V	Frosted

### Luminous flux

3000K		LED Module	
Code	lm	W	lm/W
Light 600	2500	21	120
Light 600	3500	28	120
Light 600	4500	38	120
Light 600	6000	50	120

- The energetic values in the table are referred to the system.
- LED source - SMD
- Heat sink integrated in the body.
- Lifetime (EN 62722-2-1, LM80 data): L80B10 > 100,000hours.
- Colour Rendering Index: Ra > 70.

### Driver

- Standard on-off inbuilt power supply.

Accessories ( Not included in standard product, to be ordered separately )



IP 68 2 Way connector for suitable cable diameter ( 6.5mm - 9.5mm )

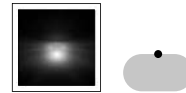
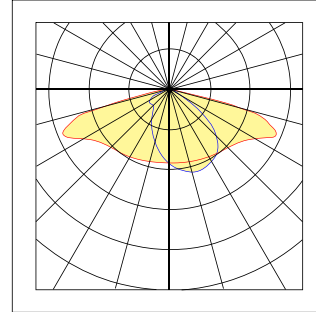


IP 68 3 Way connector for suitable cable diameter ( 6.5mm - 9.5mm )

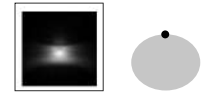
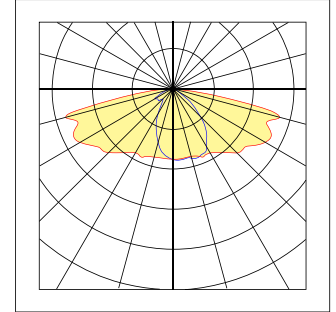
## PHOTOMETRIC CURVES

### Lighting distribution

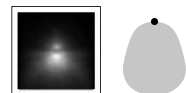
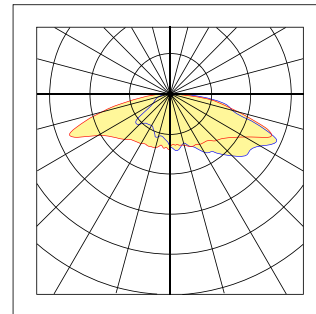
Type II



Type III



Type IV



Type V

