

# NERI

Ceiling light  
Source: LED  
Mounting: ceiling-mounted

Technical sheet  
Measures in mm

## DESCRIPTION

### Compliance

EN 60598-1



### Mechanical Information

Height	Length	Depth	Weight	IP	IK
170mm	90mm	90mm	1Kg.	65	08

### Electrical characteristics

Voltage	Frequency	Cos $\phi$	Insulation class	Operative Temp.
AC 240V	50Hz	> 0.9	CL I	-20°C to + 50°C



## Fixing

- Suitable for ceiling-mounting installation.

## Materials

- Die-cast aluminium.
- Tempered glass.
- Silicon.
- Stainless steel.

## Structure - Main components

- The light fixture is made of die-cast aluminium.
- Mounting base in die-cast aluminium.
- Clear screen-in tempered glass.
- Gasket in silicon.
- Stainless steel screws for fixing.
- Silicon grommet for cable entry.

## Electrical auxiliaries

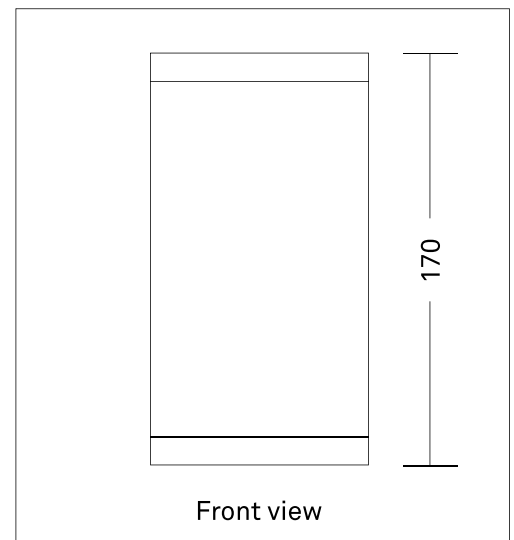
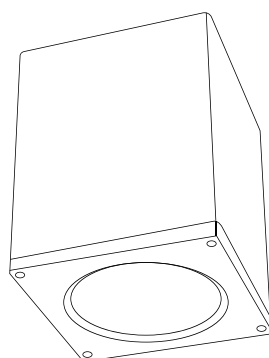
- Single cable entry through grommet.
- One cable of 0.3M, 3Cx0.75 sq.mm. supplied.
- Driver-standard on-off inbuilt power supply.

## Operations and maintenance

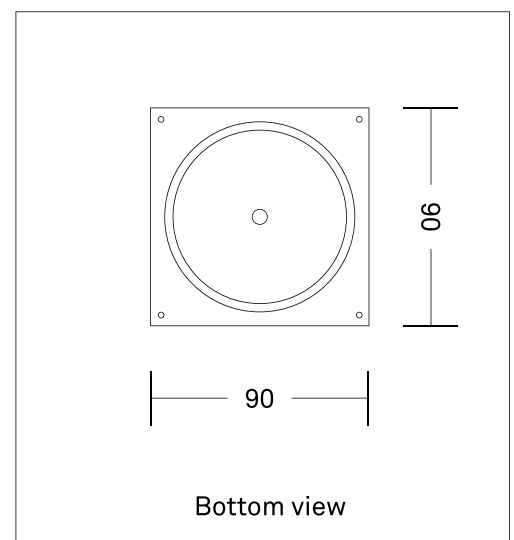
- A scheduled maintenance program must be carried out on the Installation.
- Disconnect the electrical supply before maintenance operation.

## Finish

- Standard color - Black.
- Powder coated for high corrosion resistance.



Front view



Bottom view

# NERI

Ceiling light  
Source: LED  
Mounting: ceiling-mounted

Category: Comfort  
Optics: 36°/60°  
Screen: Clear

Technical sheet  
Measures in mm

## DESCRIPTION

### Optics

Lighting distribution	Glass
36°/60°	Clear

- Reflector made of high grade engineering plastic.

### Luminous flux

3000K		System	
Code	lm	W	lm/W
NCL-90S	800	10	80

### Luminous flux

4000K		System	
Code	lm	W	lm/W
NCL-90S	850	10	85

- The energetic values in the table are referred to the system.
- LED source - COB
- Heat sink integrated in the body.
- Lifetime (EN 62722-2-1, LM80 data): L70 > 50,000hours.
- Colour Rendering Index: Ra > 80.

### Driver

- Standard on-off inbuilt power supply.

Accessories ( Not included in standard product, to be ordered separately )



IP 68 2 Way connector for suitable cable diameter ( 6.5mm - 9.5mm )



IP 68 3 Way connector for suitable cable diameter ( 6.5mm - 9.5mm )

## PHOTOMETRIC CURVES

### Lighting distribution

