

NERI

Wall Light
Source: LED
Mounting: Wall-mounted

Technical sheet
Measures in mm

DESCRIPTION

Compliance

EN 60598-1



Mechanical Information

Height	Length	Depth	Weight	IP	IK
200mm	90mm	90mm	1Kg.	65	08

Electrical characteristics

Voltage	Frequency	Cos ϕ	Insulation class	Operative Temp.
AC 240V	50Hz	> 0.9	CL I	-20°C to +50°C

Fixing

- Suitable for wall-mounting installation.

Materials

- Aluminium.
- Tempered glass.
- Silicon.

Structure - Main components

- Body in rectangular shape made of aluminium.
- Mounting base in aluminium.
- Screen in tempered glass.
- Gasket in silicon.
- Silicon grommet for cable entry.

Electrical auxiliaries

- Single cable entry through grommet
- One cable of 0.3M, 3Cx0.75 sq.mm. supplied.
- Driver-standard on-off inbuilt power supply.

Operations and maintenance

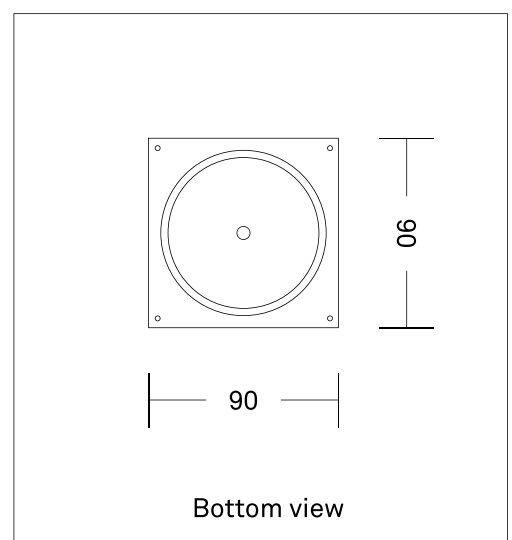
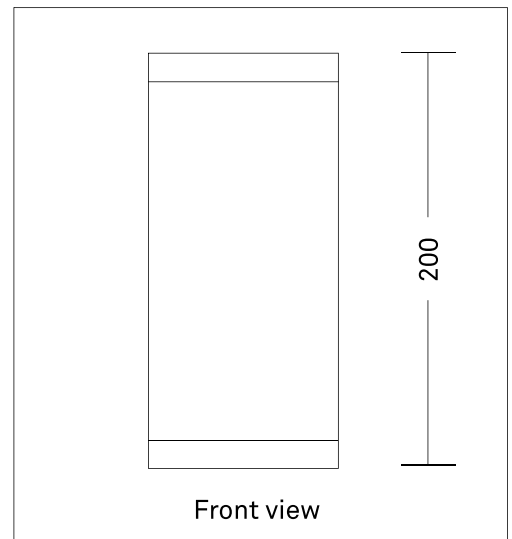
- A scheduled maintenance program must be carried out on the Installation.
- Disconnect the electrical supply before maintenance operation.

Finish

- Standard color - Black.
- Powder coated for high corrosion resistance.



Down Light



NERI

Wall Light
Source: LED
Mounting: Wall-mounted

Category: Comfort
Optics: 36°/60°
Screen: Clear

Technical sheet
Measures in mm

DESCRIPTION

Optics

Lighting distribution	Glass
36°/60°	Clear

- Reflector made of PC.

Luminous flux

3000K		System	
Code	lm	W	lm/W
NWL-90S	800	10	80

Luminous flux

4000K		System	
Code	lm	W	lm/W
NWL-90S	850	10	85

- The energetic values in the table are referred to the system.
- LED source - COB
- Heat sink integrated in the body.
- Lifetime (EN 62722-2-1, LM80 data): L70 > 50,000hours.
- Colour Rendering Index: Ra > 80.

Driver

- Standard on-off inbuilt power supply.

Accessories (Not included in standard product, to be ordered separately)



IP 68 2 Way connector for suitable cable diameter (6.5mm - 9.5mm)



IP 68 3 Way connector for suitable cable diameter (6.5mm - 9.5mm)

PHOTOMETRIC CURVES

Lighting distribution

