

## DESCRIPTION

### Compliance



EN 60598-1

### Dimensions-LED Strip

Width	Height	Standard Length	IP
10mm	4mm	5000mm	65/67

### Dimensions-Aluminium mounting channel

Width	Height	Maximum Length
17mm	14.5mm	2000mm

### Electrical characteristics

Voltage	Insulation class	Operative Temp.
DC24V	CL III	-20°C/+50°C



### Fixing

- Surface mounting.

### Materials

- Silicon.
- Aluminium.
- Polycarbonate.

### Structure - Main components

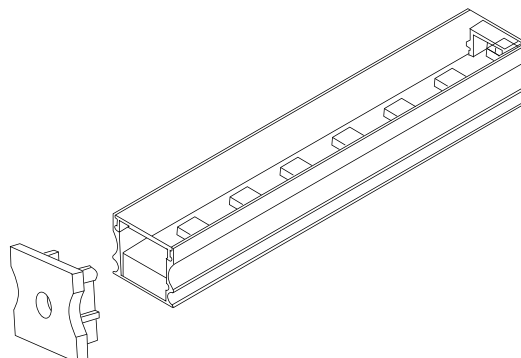
- LED strip encapsulated with silicon and sealed with silicon end caps.
- Adhesion tape on LED strip for adhesion to the aluminium channel.
- Mounting channel in aluminium with end caps.
- Diffuser screen in polycarbonate.

### Electrical auxiliaries

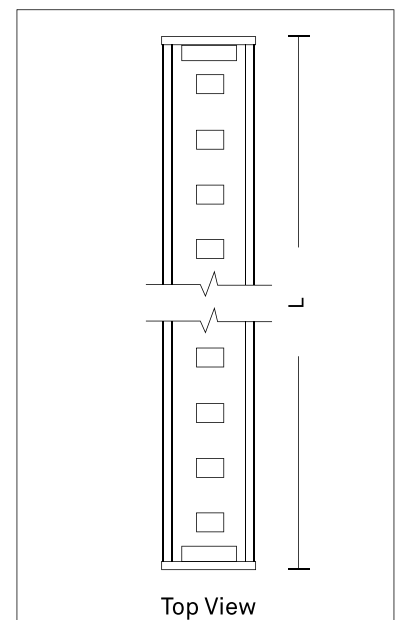
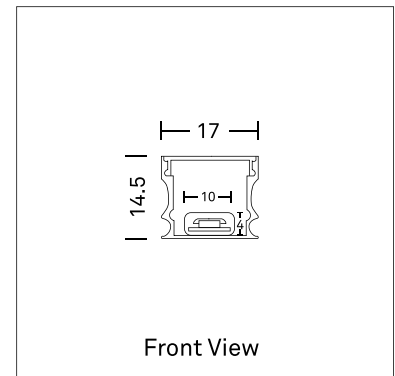
- Wires connected on one end.
- Wires of 0.15M, 2Rx0.5sq.mm. supplied.
- External common electronic power supply.

### Operations and maintenance

- A scheduled maintenance program must be carried out on the Installation.
- Disconnect the electrical supply before maintenance operation.



### LED Strip with Aluminium Channel



## DESCRIPTION

### Optics

Lighting distribution	Screen
120° (Symmetrical)	Diffused

### Luminous flux

3000K		System	
Code	lm	W	lm/W
NLS-5	500	5	100
NLS-10	1000	10	100
NLS-15	1500	15	100

### Luminous flux

RGB/RGBW		System	
Code	lm	W	lm/W
NLS-5	175	5	35
NLS-10	350	10	35
NLS-15	525	15	35

- The energetic values in the table are referred to the LED strip.
- LED source - SMD
- Lifetime (EN 62722-2-1, LM80 data): L70 > 50,000hours.
- Colour Rendering Index: Ra > 80.

### Driver

- Driver-External common power supply.

### Accessories ( Not included in standard product, to be ordered separately )



IP 68 2 Way connector for suitable cable diameter ( 6.5mm - 9.5mm )



IP 68 3 Way connector for suitable cable diameter ( 6.5mm - 9.5mm )

## PHOTOMETRIC CURVES

### Lighting distribution

